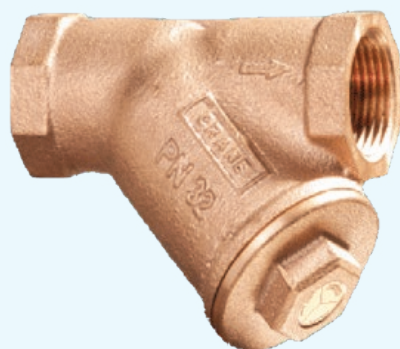
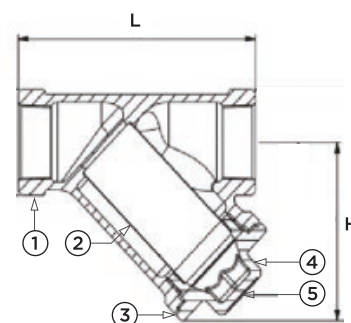


BRONZE Y-PATTERN STRAINER D297



MATERIAL

NO.	PART NAME	MATERIAL	SPECIFICATION
1	Body	Bronze	BS EN 1982 CC491K
2	Mesh	Stainless Steel 304	BS EN 10088-3 1.4301
3	Cap Seal	PTFE	
4	Cap	Bronze	BS EN 1982 CC491K
5	Name Plate	Aluminium	



OPERATING PRESSURE & TEMPERATURE

Operating Temperature (°C)	-10 - 100	130	150	180	200
Max Operating Pressure (Bar)	32	26.5	22.8	17.4	14

SPECIFICATION

- Y-Pattern body, screwed cover, stainless steel screen
- Hydrostatically tested to BS EN 12266-1:2012
- Manufactured in accordance with BS EN 12288:2010 (BS 5154:1991)
- Threaded to BS EN 10226-2 (BSP) / ANSI B1.20.1
- Applicable for HVAC System, Fire Protection System, Plumbing / Sanitary System

PRESSURE/TEMPERATURE RATING

Working Pressure	32 bar
Testing Pressure	Shell: 24 bar
Working Temperature	-10 - 200°C
Typical Application	Water, oil and gas (except Group 1 gases and unstable fluids defined by the Pressure Equipment Directive 97/23/EC)

DIMENSION

NOMINAL PIPE SIZE		L	H	SCREEN SIZE
MM	INS	MM	MM	MM
15	1/2	71	49	0.75
20	3/4	86	60	0.75
25	2	101	67	0.75
32	1 1/4	134	93	1.4
40	1 1/2	148	103	1.4
50	2	176	119	1.4