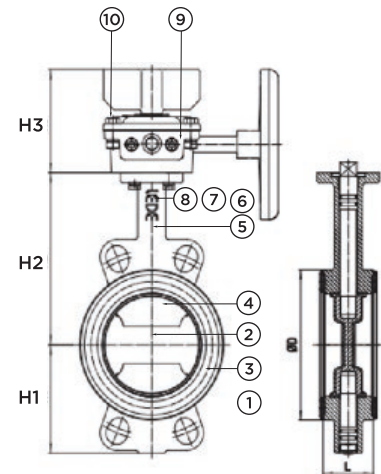


WAFER TYPE BUTTERFLY VALVE WITH TAMPER SWITCH XD371X



MATERIAL

| NO. | PART NAME | MATERIAL | SPECIFICATION |
|-----|----------------------|---|----------------------|
| 1 | Body | Ductile Iron | GGG45 (EN-JL1040) |
| 2 | Disc | Ductile Iron | GGG45 (EN-JL1040) |
| 3 | Liner | EPDM Rubber | |
| 4 | Driven Shaft | Stainless Steel 431 | BS EN 10088-3 1.4057 |
| 5 | Actuating Shaft | Stainless Steel 431 | BS EN 10088-3 1.4057 |
| 6 | Plug | EPDM Rubber | |
| 7 | O-Ring | EPDM Rubber | |
| 8 | Bearing Bush | Bronze | BS EN 1982 CC491K |
| 9 | Gear Operator | Ductile Iron and Steel | |
| 10 | Bolt & Spring Washer | Carbon Steel Hot Galvanizing / Stainless Steel | |



SPECIFICATION

- Actuator mounting flange conforms to ISO 5211 drilling
- Hydrostatically tested to UL 1091
- Manufactured in accordance with EN 593:2009
- Flanged to EN 1092-2 PN16 / ASME B16.1 Class 125
- Applicable for HVAC System, Fire Protection System, Plumbing / Sanitary System

PRESSURE/TEMPERATURE RATING

| | |
|---------------------|---------------------------------|
| Working Pressure | 362 psi (25 bar) |
| Testing Pressure | Shell: 724 psi Seat: 724 psi |
| Working Temperature | 0 - 80°C |
| Typical Application | Water |

DIMENSION

| NOMINAL PIPE SIZE | | D | L | H1 | H2 | H3 |
|-------------------|-------|-----|----|-----|-------|-----|
| MM | INS | MM | MM | MM | MM | MM |
| 50 | 2 | 91 | 43 | 70 | 125 | 103 |
| 65 | 2 1/2 | 108 | 46 | 76 | 143.5 | 103 |
| 80 | 3 | 124 | 46 | 94 | 151 | 103 |
| 100 | 4 | 150 | 52 | 108 | 172 | 103 |
| 125 | 5 | 178 | 56 | 127 | 190 | 103 |
| 150 | 6 | 205 | 56 | 139 | 202 | 103 |
| 200 | 8 | 260 | 60 | 175 | 235 | 103 |
| 250 | 10 | 313 | 68 | 210 | 265 | 109 |
| 300 | 12 | 364 | 78 | 238 | 285 | 109 |