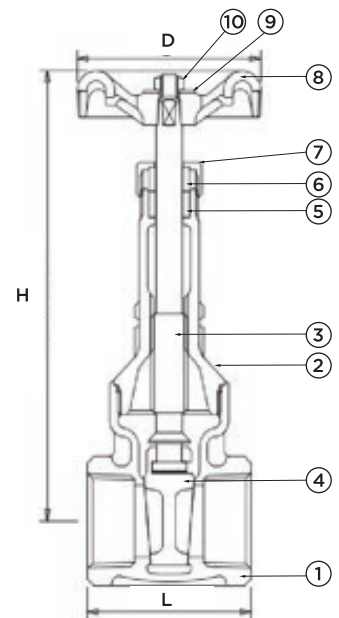


BRONZE RISING STEM GATE VALVE D166



MATERIAL

| NO. | PART NAME | MATERIAL | SPECIFICATION |
|-----|----------------|-------------------------|--------------------|
| 1 | Body | Bronze | BS EN 1982 CC491K |
| 2 | Bonnet | Bronze | BS EN 1982 CC491K |
| 3 | Stem | Bronze | BS EN 1982 CC491K |
| 4 | Disc | Bronze | BS EN 1982 CC491K |
| 5 | Packing | Asbestos free | |
| 6 | Gland | Brass | BS EN 12164 CW614N |
| 7 | Packing Nut | Brass | BS EN 12164 CW614N |
| | | Bronze (size 65 - 80mm) | BS EN 1982 CC491K |
| 8 | Hand Wheel | Aluminium | |
| 9 | Name Plate | Aluminium | |
| 10 | Hand Wheel Nut | Brass | BS EN 12164 CW614N |



OPERATING PRESSURE & TEMPERATURE

| | | |
|------------------------------|-----------|-----|
| Operating Temperature (°C) | -10 - 100 | 198 |
| Max Operating Pressure (Bar) | 32 | 14 |

SPECIFICATION

- Rising stem, screwed bonnet, solid wedge
- Hydrostatically tested to BS EN 12266-1:2012
- Manufactured in accordance with BS EN 12288:2010 (BS 5154:1991)
- Threaded to BS EN 10226-2 (BSP) / ANSI B1.20.1 (NPT)
- Applicable for HVAC System, Fire Protection System, Plumbing / Sanitary System

PRESSURE/TEMPERATURE RATING

| | |
|---------------------|--|
| Working Pressure | 32 bar |
| Testing Pressure | Shell: 40 bar Seat: 35.2 bar |
| Working Temperature | -10 - 198°C |
| Typical Application | Water, oil and gas (except Group 1 gases and unstable fluids defined by the Pressure Equipment Directive 97/23/EC) |

DIMENSION

| NOMINAL PIPE SIZE | | L | H | D |
|-------------------|-------|-----|-----|-----|
| MM | INS | MM | MM | MM |
| 6 | 1/4 | 46 | 126 | 45 |
| 10 | 3/8 | 46 | 126 | 45 |
| 15 | 1/2 | 51 | 129 | 52 |
| 20 | 3/4 | 55 | 159 | 65 |
| 25 | 1 | 63 | 189 | 70 |
| 32 | 1 1/4 | 71 | 219 | 78 |
| 40 | 1 1/2 | 73 | 246 | 92 |
| 50 | 2 | 84 | 301 | 92 |
| 65 | 2 1/2 | 105 | 369 | 134 |
| 80 | 3 | 111 | 416 | 134 |