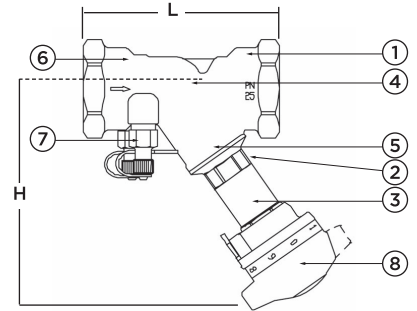


# FIXED ORIFICE DOUBLE REGULATING VALVE D931



## MATERIAL

NO.	PART NAME	MATERIAL	SPECIFICATION
1	Body	Bronze	BS EN 1982 CC491K
2	Bonnet	DZR Brass (size 15 - 32mm)	BS EN 12165 CW602N
		Bronze (size 40 - 50mm)	BS EN 1982 CC491K
3	Stem	DZR Brass	BS EN 12164 CW602N
4	Disc	DZR Brass	BS EN 12164/5 CW602N
5	O-Ring Seal	EPDM Rubber	BS 4518 0106-24
6	Orifice Insert	DZR Brass	BS EN 12164 CW602N
7	P84 Test Valve	DZR Brass	BS EN 12164 CW602N
8	Hand Wheel	Plastic	



## OPERATING PRESSURE & TEMPERATURE

Operating Temperature (°C)	-10 - 100	110	120
Max Operating Pressure (Bar)	25	23.4	21.8

## SPECIFICATION

- Double regulating feature allows the valve to be used for isolation and to be reopened to its pre-set position to maintain required flow rate
- An accuracy of  $\pm 5\%$  on all settings for precise flow regulation and measurement
- Y-Pattern globe valves having characterised throttling disc tending towards equal percentage performance
- Intergral square edged entrance orifice plate and P84 insertion test points fitted allows valve opening to be set with an Allen key
- Hydrostatically tested to BS EN 12266-1:2012
- Manufactured in accordance with BS 7350:1990
- Threaded to BS EN 10226-2 (BSP) for size 25 - 50mm; BS 2779 for size 15 & 20mm
- Applicable for HVAC System

## DIMENSION

NOMINAL PIPE SIZE		L	H	FULLY OPEN		KVS
MM	INS			FLOW	HEAD LOSS	
15	1/2	87	105	1.87	30.27	2.2
20	3/4	96	106	3.14	34.55	4.7
25	1	100	127	5.59	27.85	8.6
32	1 1/4	114	128	10.8	22.6	16.6
40	1 1/2	125	143	18.1	14.76	24.5
50	2	146	144	29.1	14.62	46.1

## PRESSURE/TEMPERATURE RATING

Working Pressure  
Testing Pressure

Working Temperature  
Typical Application

25 bar  
Shell: 37.5 bar  
Seat: 27.5 bar  
-10 - 120°C  
Water