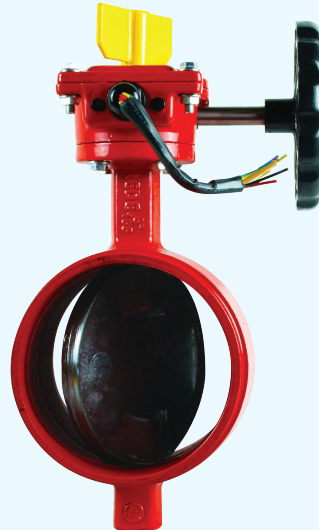
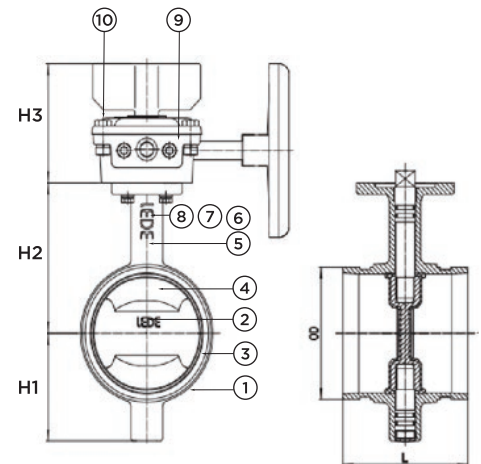


# BUTTERFLY VALVE WITH TAMPER SWITCH (GROOVED END) XD381X



## MATERIAL

NO.	PART NAME	MATERIAL	SPECIFICATION
1	Body	Ductile Iron	GGG45 (EN-JL1040)
2	Disc	Ductile Iron	GGG45 (EN-JL1040)
3	Liner	EPDM Rubber	
4	Driven Shaft	Stainless Steel 431	BS EN 10088-3 1.4057
5	Actuating Shaft	Stainless Steel 431	BS EN 10088-3 1.4057
6	Plug	EPDM Rubber	
7	O-Ring	EPDM Rubber	
8	Bearing Bush	Bronze	BS EN 1982 CC491K
9	Gear Operator	Ductile Iron and Steel	
10	Bolt & Spring Washer	Carbon Steel Hot Galvanizing / Stainless Steel	



## SPECIFICATION

- Actuator mounting flange conforms to ISO 5211 drilling
- Hydrostatically tested to UL 1091
- Manufactured in accordance with MSS SP-67
- Grooved to AWWA C606
- Applicable for HVAC System, Fire Protection System, Plumbing / Sanitary System

## PRESSURE/TEMPERATURE RATING

Working Pressure	362 psi (25 bar)
Testing Pressure	Shell: 724 psi Seat: 724 psi
Working Temperature	0 - 80°C
Typical Application	Water

## DIMENSION

NOMINAL PIPE SIZE		D	L	H1	H2	H3
MM	INS	MM	MM	MM	MM	MM
50	2	60.3	81	56	91	103
65	2 1/2	73	96.8	68	104	103
65	2 1/2	76.1	96.8	68	104	103
80	3	88.9	96.8	75	111	103
100	4	114.3	115.8	93	130	103
125	5	139.7	147.6	111	153	103
125	5	141.3	147.6	111	153	103
150	6	165.1	147.6	123	165	103
150	6	168.3	147.6	123	165	103
200	8	219.1	133.4	160	194	109