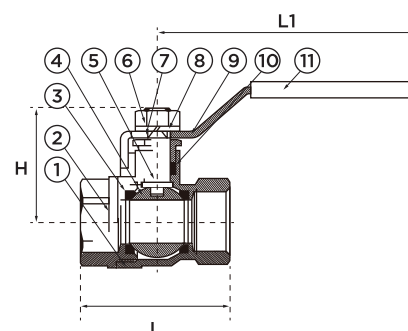


BRASS BALL VALVE MBBV01



MATERIAL

NO.	PART NAME	MATERIAL	SPECIFICATION
1	Body	Brass	BS EN 12165 CW617N
2	Bonnet	Brass	BS EN 12165 CW617N
3	Seat	PTFE	
4	Ball	Brass	BS EN 12165 CW617N
5	Stem	Brass	BS EN 12165 CW617N
6	Wheel Nut	Stainless Steel 304	BS EN 10088-3 1.4301
7	Lock Nut	Brass	BS EN 12165 CW617N
8	Spring Washers	Stainless Steel 304	BS EN 10088-3 1.4301
9	Lever Handle	Stainless Steel 201	BS EN 10088-3 1.4372
10	O-Ring	PTFE	
11	Handle Cover	PVC	



SPECIFICATION

- Screwed body cap, full bore, blow-out proof stem
- Hydrostatically tested to BS EN 12266-1:2012
- Manufactured in accordance with BS 5154:1991
- Threaded to BS EN 10226-2 (BSP)
- Applicable for HVAC System, Fire Protection System, Plumbing / Sanitary System

PRESSURE/TEMPERATURE RATING

Working Pressure	16 bar
Testing Pressure	Shell: 24 bar Seat: 17.6 bar
Working Temperature	Max 120°C
Typical Application	Water, Petroleum

DIMENSION

NOMINAL PIPE SIZE		L	H	L1
MM	INS	MM	MM	MM
15	1/2	50	39	91
20	3/4	55.5	41.5	91
25	1	67.5	48	108
32	1 1/4	78	58	140
40	1 1/2	85	62	140
50	2	98	68	160
65	2 1/2	90	90	205
80	3	128	95	205
100	4	175	90	240